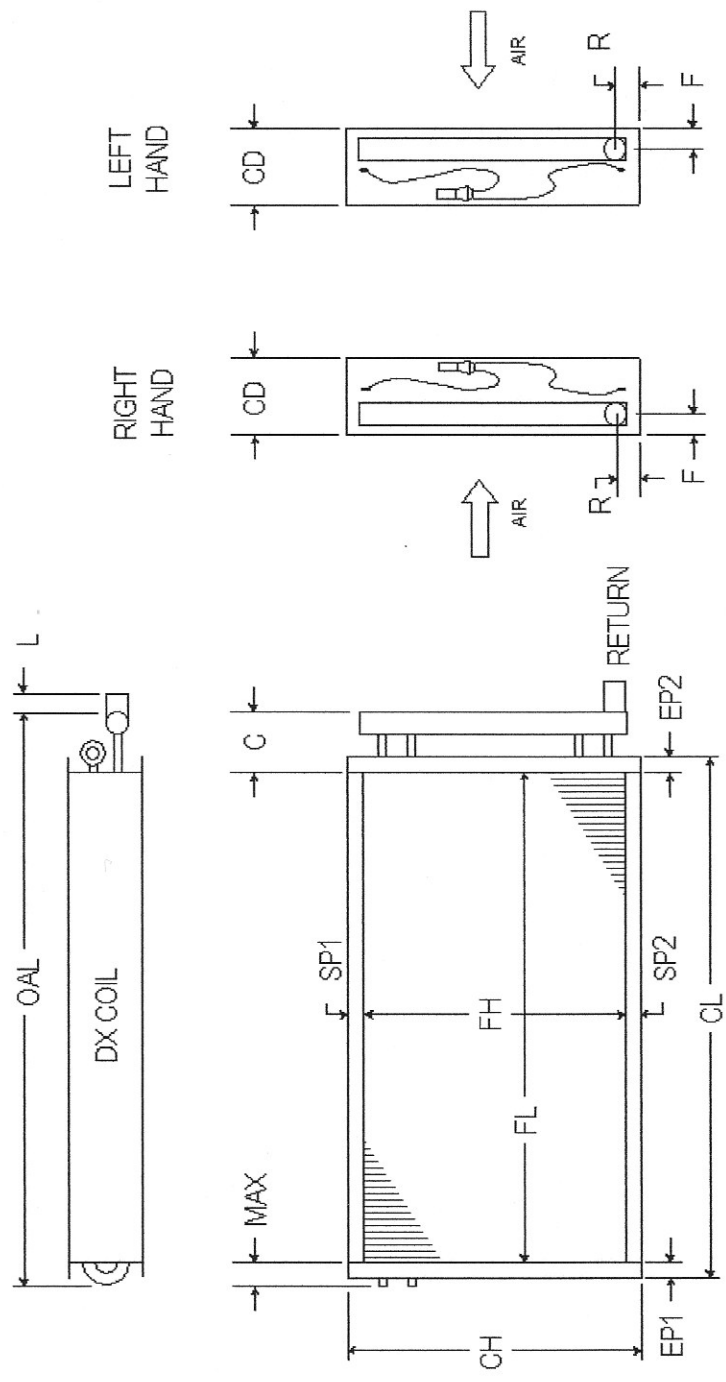


# DX COILS

ROWS AVAILABLE	1	2	3	4	5
FPI AVAILABLE	6	8	10	12	
TUBES OD & Wall Thickness	5/8	.020	.025	.035	.049
COILS ONLY	1/2	.016	.020		
FINS Material & Thickness	3/8	.016			
CASING	ALUM.	.006	.010		
	COPPER		.006		
HEADERS		16 GA. GALV. STEEL			
ONLY		16 GA. STAINLESS STEEL			
CONNECTION SIZES		5/8	7/8	1 1/8	
SWEAT		1 3/8	1 5/8	2 1/8	
DISTRIBUTOR		2 5/8	3 1/8		



DIMENSIONAL DATA IN INCHES													RETURN						
ITEM	QTY	ROWS	FPI	SP1	FH	SP2	CH	EP1	FL	EP2	CL	MAX	C	OAL	L	CD	R	F	
P.O. #																			
W.O. #																			
APPROVED BY																			
DATE																			
Performance Data		CFM	EAT	EVAPORATOR TEMP		REFRIGERANT		CAPACITY											

Mark Smith  
 Coils Express, LLC.  
**CALL TOLL FREE OR FAX**  
**(866)-42COILS (26457)**  
 mark@coilsexpress.com