

# SLIP BOOSTER COILS

ROWS AVAILABLE	1	2
FPI AVAILABLE	8	10 12
TUBES OD & Wall Thickness	5/8	.020
COPPER ONLY	1/2	.016
FINS Material & Thickness	ALUM.	.006 .010
	COPPER	.006
CASING	16 GA. GALV. STEEL	16 GA. STAINLESS STEEL

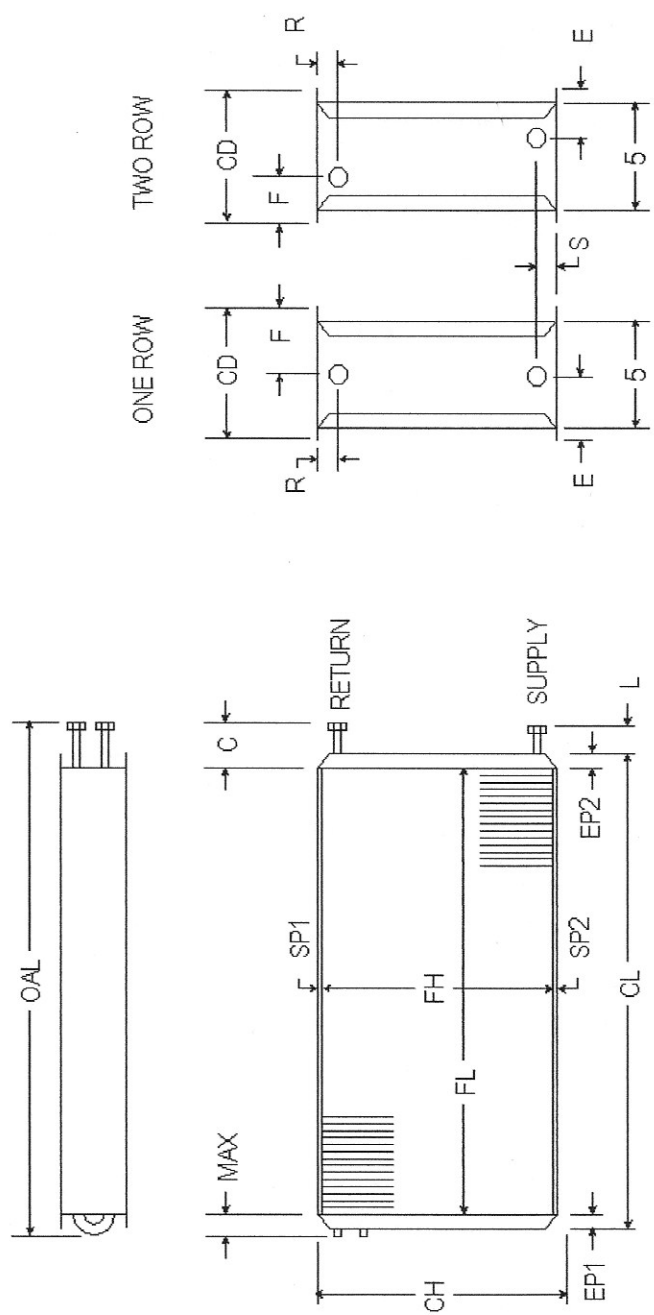
MODEL NO. (Example)	SP - Slip & Drive 8 - 8 fpi 1 - 1 row 12 - Fin Height 24 - Fin Length N - Non Headered
---------------------	---

CONNECTION SIZES  
3/4 MPT 1 MPT

SUPPLY	RETURN
	CU

Mark Smith  
Coils Express, LLC.  
**CALL TOLL FREE OR FAX**  
**(866)-42COILS (26457)**  
**mark@coilsexpress.com**

LWT	GPM
-----	-----



DIMENSIONAL DATA IN INCHES

OAL = MAX + FL + C															
ITEM	QTY	ROWS	FPI	SP1	FH	SP2	CH	EP1	FL	EP2	CL	CD	MAX	C	OAL
				1/16		1/16		3/16		3/16		6	2 1/4	5	

P.O. #	CUSTOMER
W.O. #	MODEL NO.
APPROVED BY	TAG:
DATE	NOTES

Performance Data	CFM	EDB/EWB	LDB/LWB	CAPACITY	EWT
------------------	-----	---------	---------	----------	-----