

# STEAM DISTRIBUTING

ROWS AVAILABLE	1	2
----------------	---	---

FPI AVAILABLE	6	7	8	9	10
FPI AVAILABLE	11	12	13	14	

TUBES OD & Wall Thickness <i>COPPER ONLY</i>	5/8	.025	.035
---	-----	------	------

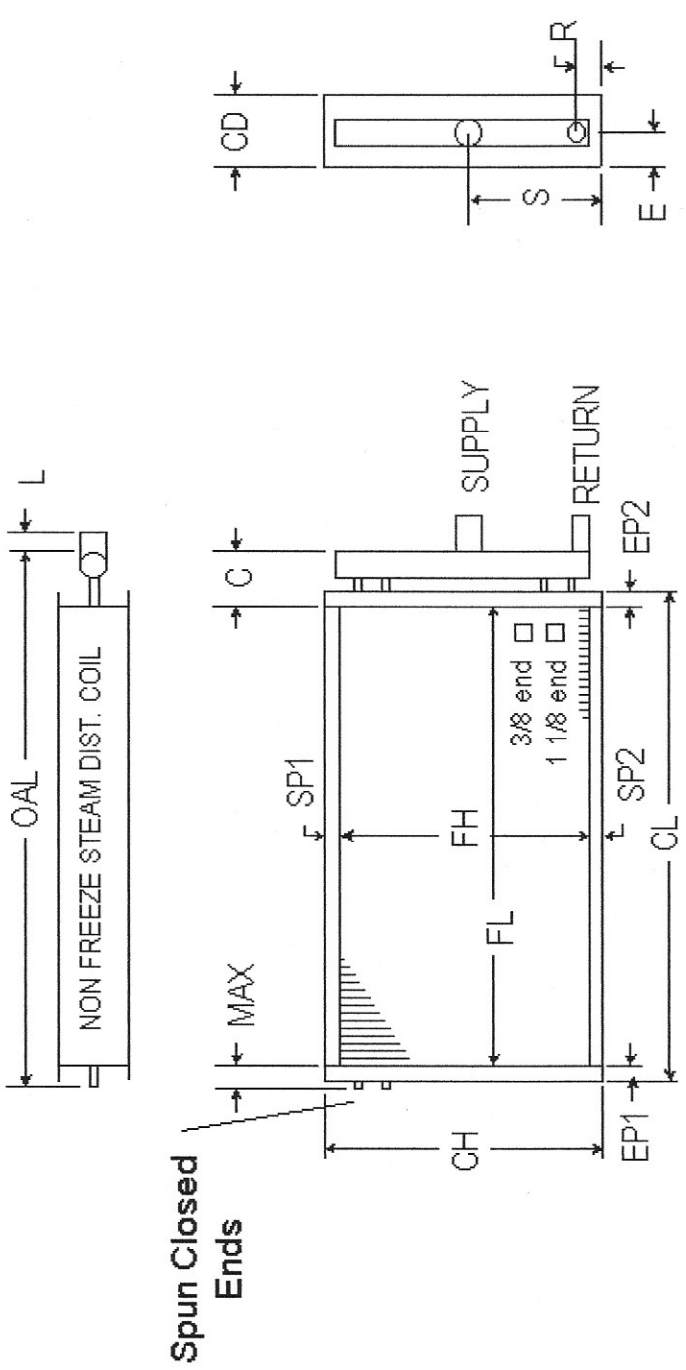
FINS Material & Thickness	ALUM.	.006	.010
	COPPER		.006

CASING	16 GA. GALV. STEEL
	16 GA. STAINLESS STEEL

HEADERS <i>COPPER ONLY</i>	1 ROW	2 5/8
	2 ROW	3 1/8

CONNECTION SIZES	□ MPT	SWEAT	FPT
	SUPPLY	RETURN	CU
			STL

Mark Smith  
**Coils Express, LLC.**  
**CALL TOLL FREE OR FAX**  
**(866)-42COILS (26457)**  
**Mark@coilsexpress.com**



DIMENSIONAL DATA IN INCHES																					
ITEM	QTY	ROWS	FPI	SP1	FH	SP2	CH	EP1	FL	EP2	CL	MAX	C	OAL	L	CD	S	E	R	E	
P.O. #																					
W.O. #																					
APPROVED BY																					
DATE																					

Performance Data	CFM	EAT	LAT	CAPACITY	STEAM PRESSURE (psig)
------------------	-----	-----	-----	----------	-----------------------