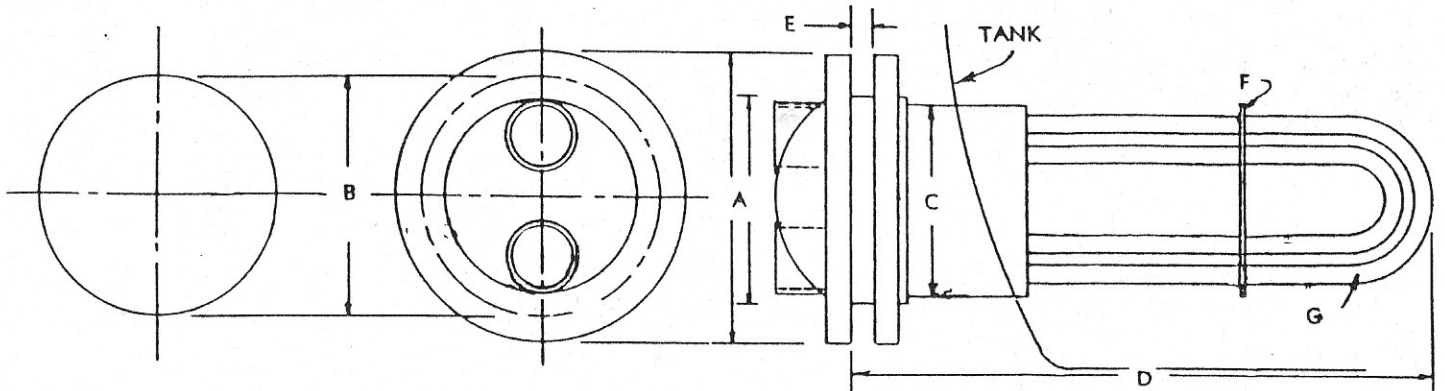


Steam Coil Replacement Bundles For Tanks



Sketch above the location of the bolt holes and the inlet and outlet connections of head of the existing coil bundle as related to the horizontal and vertical center lines.

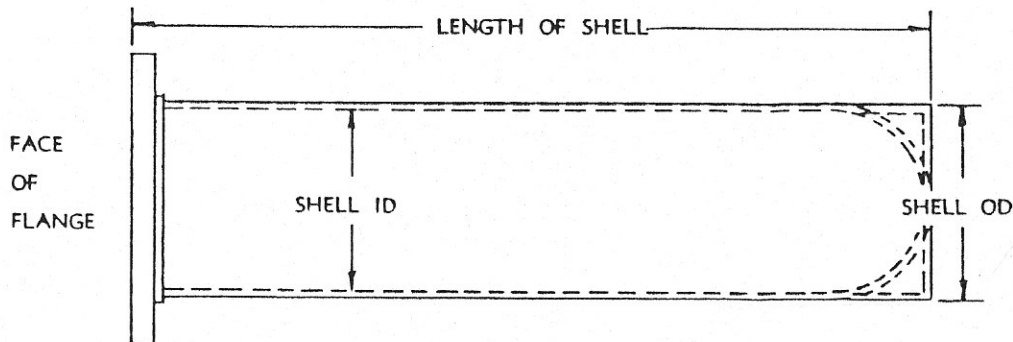
Typical Unit for Dimensions Purposes

Fill in as much information in the below chart as possible.

- Manufacturer of existing unit Model
- A. Dia. of tubesheet: Full (including bolt holes) OD or Inside of bolting OD
- B. Dia. of bolt hole circle Number of bolt holes Size of bolt holes
- C. Dia. of neck piece (collar) OD or ID. Is neckpiece cement lined? Yes or No
- D. Length of bundle Actual () or Approx. () Available clearance to remove bundle
- Note: If length of bundle is not available, then indicate the length of the tank:
- E. Thickness of tube sheet; Material
- F. Thickness of spacer (tube support); Material; Diameter
- G. Tubing: Material; OD; Gauge (Wall thickness); Heating surface; Number of 'U' bends; Center to center of two inner most rows

Replacement Bundles for Standard 'U' Tube Type Heat Exchangers

- Manufacturer of existing unit Model
- Identify: In the shell: Steam (); Water (); Oil (); Other ()
- In the tubes: Steam (); Water (); Oil (); Other ()



Draw on the above sketch and identify as follows:

- A. Length of shell; OD of shell; ID of shell
- B. Shell inlet: Distance from face of flange
- C. Shell outlet: Distance from face of flange

Complete the sketch in the upper left hand corner of this page.

Fill in on the above chart, "Steam Coil Replacement Bundles for Tanks", the following: A, B, E, G.